

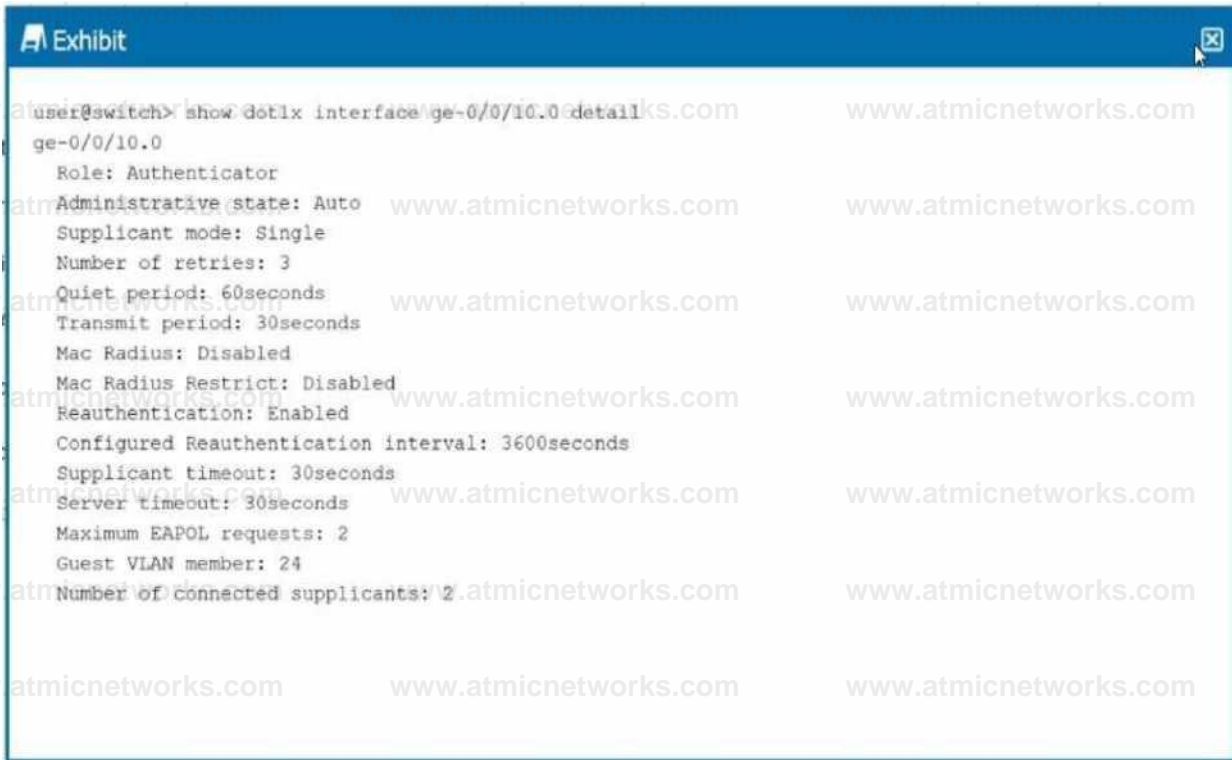


**"Please note that these files may not be up to date. However, the questions will help you understand the exam format and typical question patterns."**

**[www.atmicnetworks.com](http://www.atmicnetworks.com)**

Warning: Keep connected with our support team  
for latest updates

Question: 1  
Exhibit.



```
user@switch> show dot1x interface ge-0/0/10.0 detail
ge-0/0/10.0
  Role: Authenticator
  Administrative state: Auto
  Supplicant mode: Single
  Number of retries: 3
  Quiet period: 60seconds
  Transmit period: 30seconds
  Mac Radius: Disabled
  Mac Radius Restrict: Disabled
  Reauthentication: Enabled
  Configured Reauthentication interval: 3600seconds
  Supplicant timeout: 30seconds
  Server timeout: 30seconds
  Maximum EAPOL requests: 2
  Guest VLAN member: 24
  Number of connected supplicants: 2
```

You want to limit port access to only one device at a time.

Referring to the exhibit, which configuration change will accomplish this task?

- A. Enable MAC RADIUS restrict.
- B. Change the supplicant mode to multiple.
- C. Change the supplicant mode to single-secure.
- D. Change the maximum EAPOL request to 1.

Answer: C

Explanation:

## Question: 2

Your OSPF network consists of a mix of 1GbE and 10GbE interfaces. By default, all interfaces have the same cost in your OSPF network. You are asked to ensure that the 10GbE interfaces are more preferred when available

In this scenario, which two statements would accomplish this behavior? (Choose two.)

- A. You should define the reference bandwidth as 10G. which will assign the 1GbE interfaces a higher cost
- B. You should manually assign the interface metric for each 10GbE interface to be higher than the 1GbE interfaces in your OSPF network.
- C. You should define the reference bandwidth as 1G. which will assign the 1GbE interfaces a higher cost.
- D. You should manually assign the interface metric for each 1GbE interface to be higher than the 10GbE interfaces in your OSPF network.

Answer: A, D

Explanation:

## Question: 3

You have two multicast receivers connected to the same VLAN. You notice that the switch that they are connected to is forwarding multicast traffic out of all the ports in the same VLAN, instead of just the two ports for the connected multicast receivers

In this scenario, what would you configure to optimize multicast forwarding?

- A. promiscuous mode
- B. spanning tree
- C. IGMP snooping
- D. IRB interface

Answer: C

Explanation:

## Question: 4

You are implementing an EVPN-VXLAN edge-routed bridging design using Layer 3 gateway operations. In this scenario, which statement is correct?

- A. Each distribution switch has unique IP addresses for IRB interfaces; routing protocols run on IRB interfaces
- B. Distribution switches share the same anycast IP addresses for IRB interfaces; routing occurs at the distribution layer.
- C. Only core switches have IRB interfaces; all Layer 3 routing happens in the core.
- D. IRB interfaces are disabled; all routing happens through external routers only.

**Answer: B**

Explanation:

## Question: 5

Which statement about LLDP and LLDP-MED operations on EX Series devices is correct?

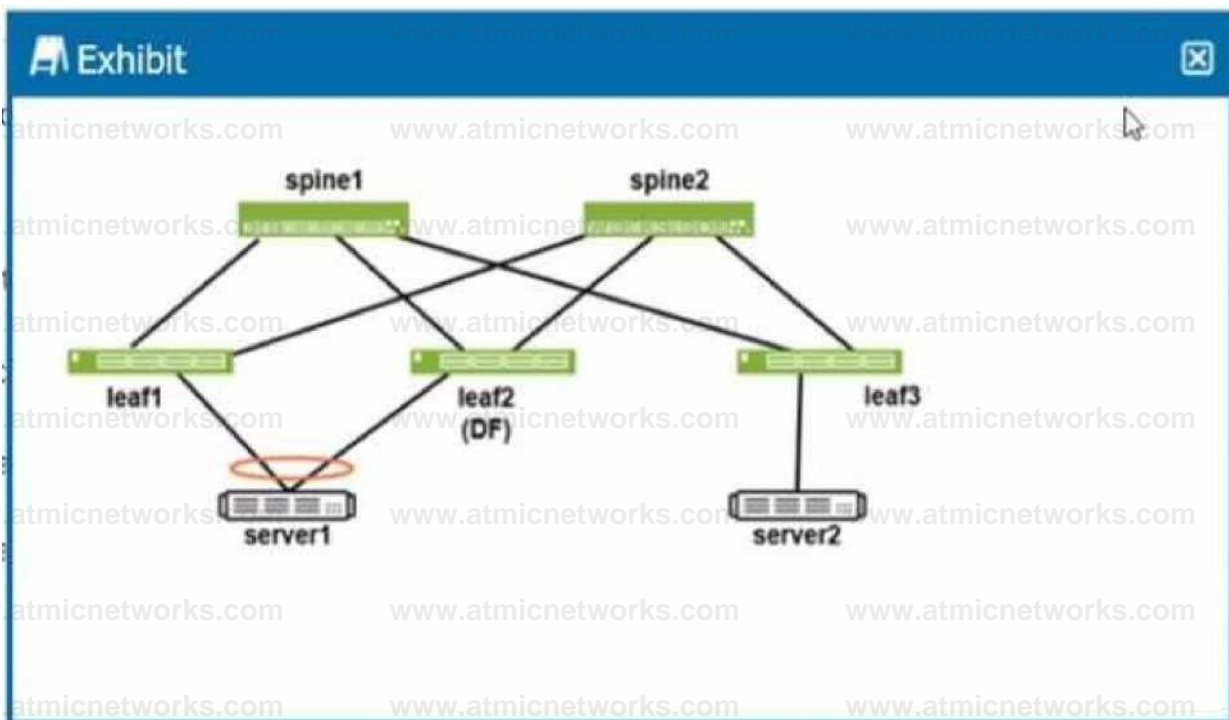
- A. LLDP only operates on interfaces configured for Layer 2
- B. EX Series devices flood LLDP frames across a Layer 2 domain to calculate a network topology
- C. EX Series devices support LLDP-MED power negotiation, enabling dynamic allocation of PoE power based on endpoint device needs.
- D. LLDP-MED focuses on discovering network connectivity devices like routers and switches.

**Answer: C**

Explanation:

## Question: 6

Exhibit.



Referring to the exhibit, leaf2 is elected the designated forwarder

Which two statements are correct if server2 generates a broadcast frame\*? (Choose two.)

- A. The broadcast frame will be forwarded to leaf1 and leaf2.
- B. The broadcast frame will not be forwarded to leaf1.
- C. Only leaf2 will forward the broadcast frame to server1
- D. Only leaf1 will forward the broadcast frame to server1.

Answer: A, C

Explanation:

## Question: 7

Which two statements correctly describe how EX Series switches use captive portal for Layer 2 authentication?  
(Choose two.)

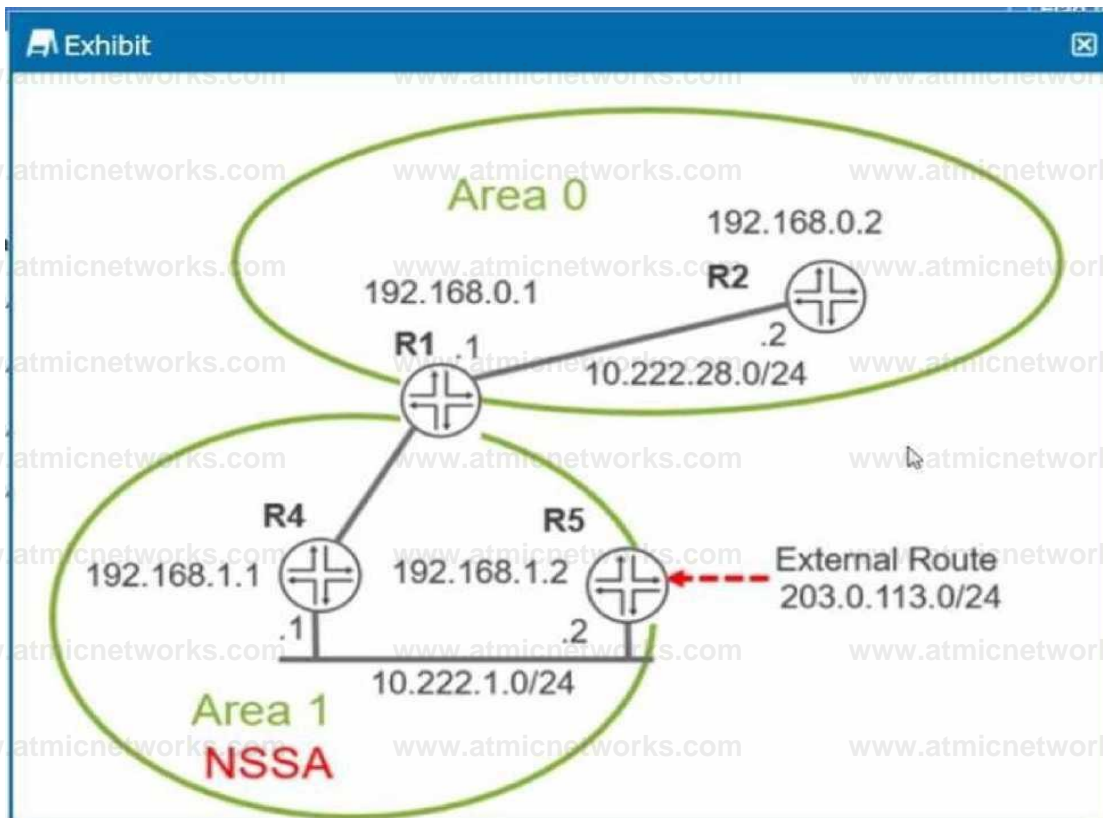
- A. The captive portal is the default Layer 2 authentication method that is applied before other methods such as 802.1X or MAC RADIUS.
- B. The captive portal authentication allowlist works for devices that do not have HTTP capabilities.
- C. The captive portal is configured on Layer 3 interfaces and does not participate in Layer 2 authentication on EX Series switches.
- D. The captive portal is used as a fallback mechanism for clients that fail 802.1X or MAC RADIUS authentication.

Answer: B, D

Explanation:

## Question: 8

Exhibit.



Referring to the exhibit, which two statements are correct? (Choose two.)

- A. R1 will advertise the 203.0.113.0/24 route as an OSPF Type 7 LSA into Area 0.
- B. R5 will advertise the 203.0.113.0/24 route as an OSPF Type 5 LSA into Area 1.
- C. R1 will advertise the 203.0.113.0/24 route as an OSPF Type 5 LSA into Area 0.
- D. R5 will advertise the 203.0.113.0/24 route as an OSPF Type 7 LSA into Area 1.

Answer: C, D

Explanation:

### Question: 9

You are deploying a new campus switching environment using EX Series switches. This new environment includes IP phones requiring Power over Ethernet (PoE) and end-user client PCs attached to a single switch port that will be configured with 802.1X authentication.

Considering the default configuration on an EX Series access switch and the configuration requirements to support this deployment, which two statements are correct? (Choose two.)

- A. Configuration for the voice VLAN for all relevant access ports must be added.
- B. Configuration for PoE on all relevant access ports must be added.
- C. Configuration for LLDP and LLDP-MED on all relevant access ports must be added.
- D. Configuration for 802.1X on all relevant access ports must be added.

Answer: A, D

Explanation:

### Question: 10

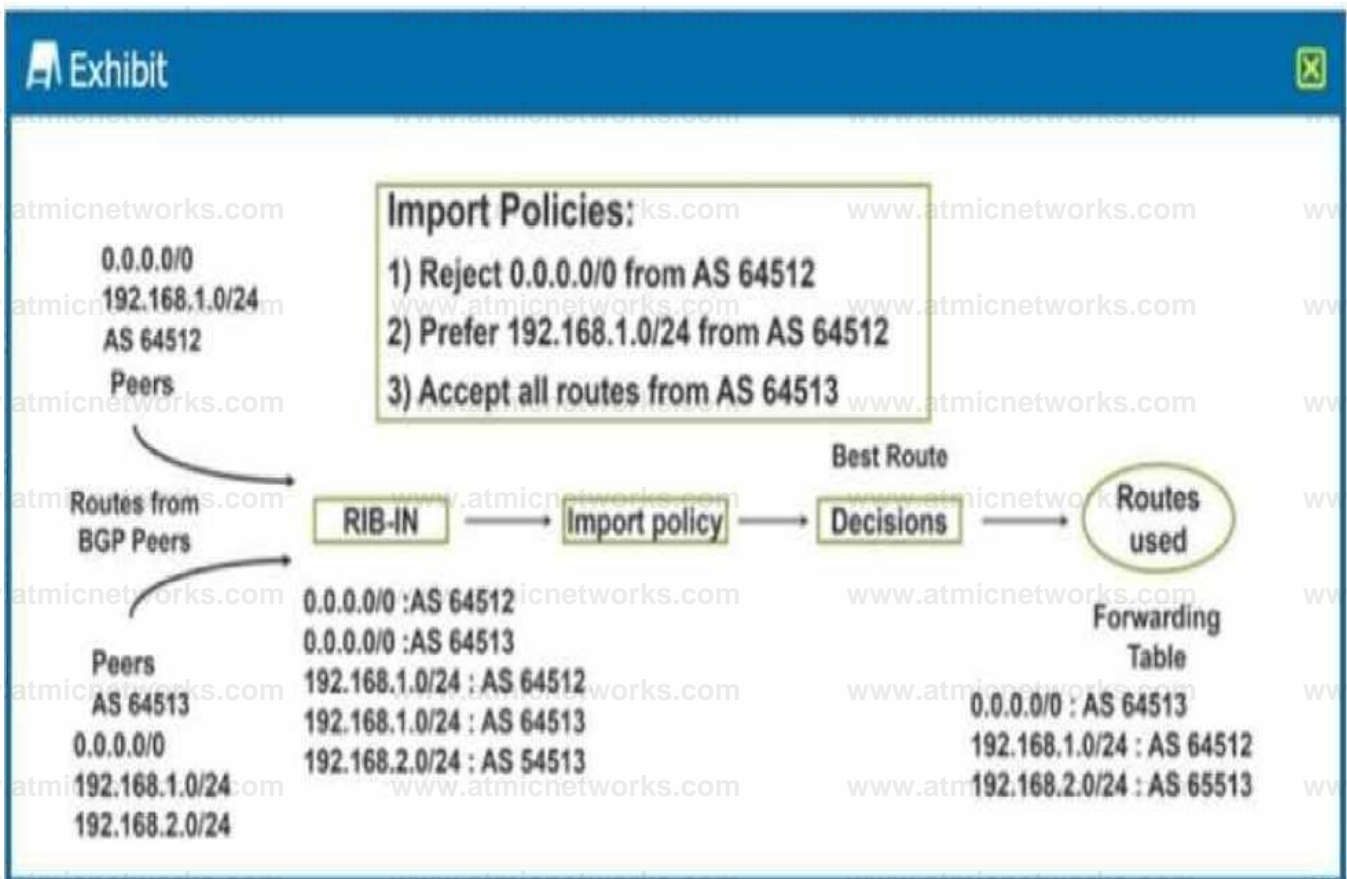
Which two statements are correct about multicast routing tables? (Choose two.)

- A. inet. 2 is used when the multicast forwarding topology differs from unicast forwarding.
- B. MBGP and IS-IS place routes in met. 1 directly.
- C. inet. 0 is used for RPF checks.
- D. IS-IS and OSPFv3 place routes in met. 2 directly.

Answer: A, C

Explanation:

Question: 11  
Exhibit.



What is the command to achieve this task?

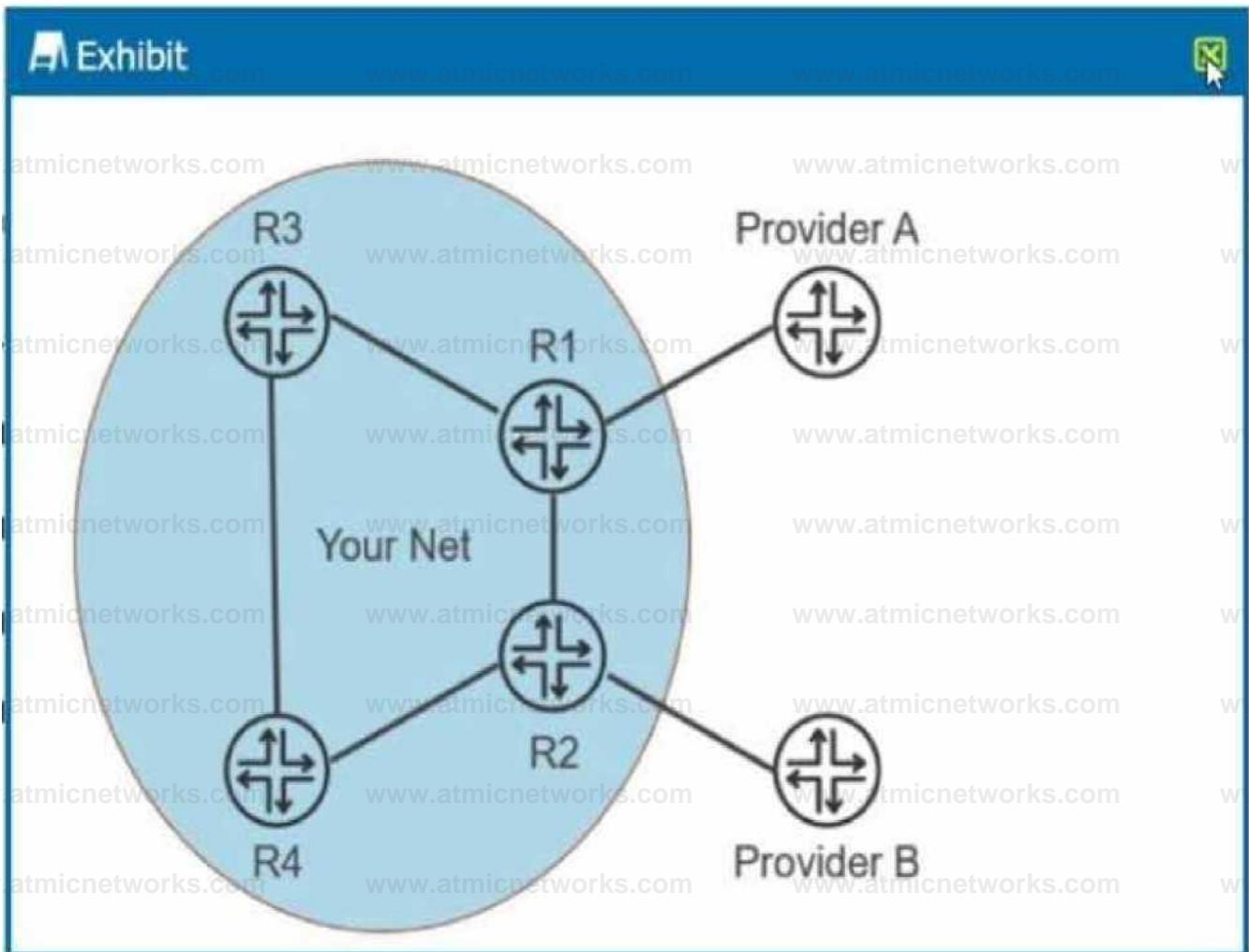
- A. show route receive-protocol bgp <peer ip>
- B. show route protocol bgp source-gateway <peer ip>
- C. show route protocol bgp next-hop < peer ip>
- D. show route receive-protocol bgp <peer ip> hidden

Answer: D

Explanation:

Question: 12

Exhibit



Referring to the exhibit, you see that the 0.0.0.0/0 route is coming from AS 64512.

Your network receives the full Internet BGP routing table from two different ISPs. You want your local routers to use Provider A to forward all Internet traffic as long as Provider A is available.

Referring to the exhibit, which two actions would satisfy this requirement? (Choose two.)

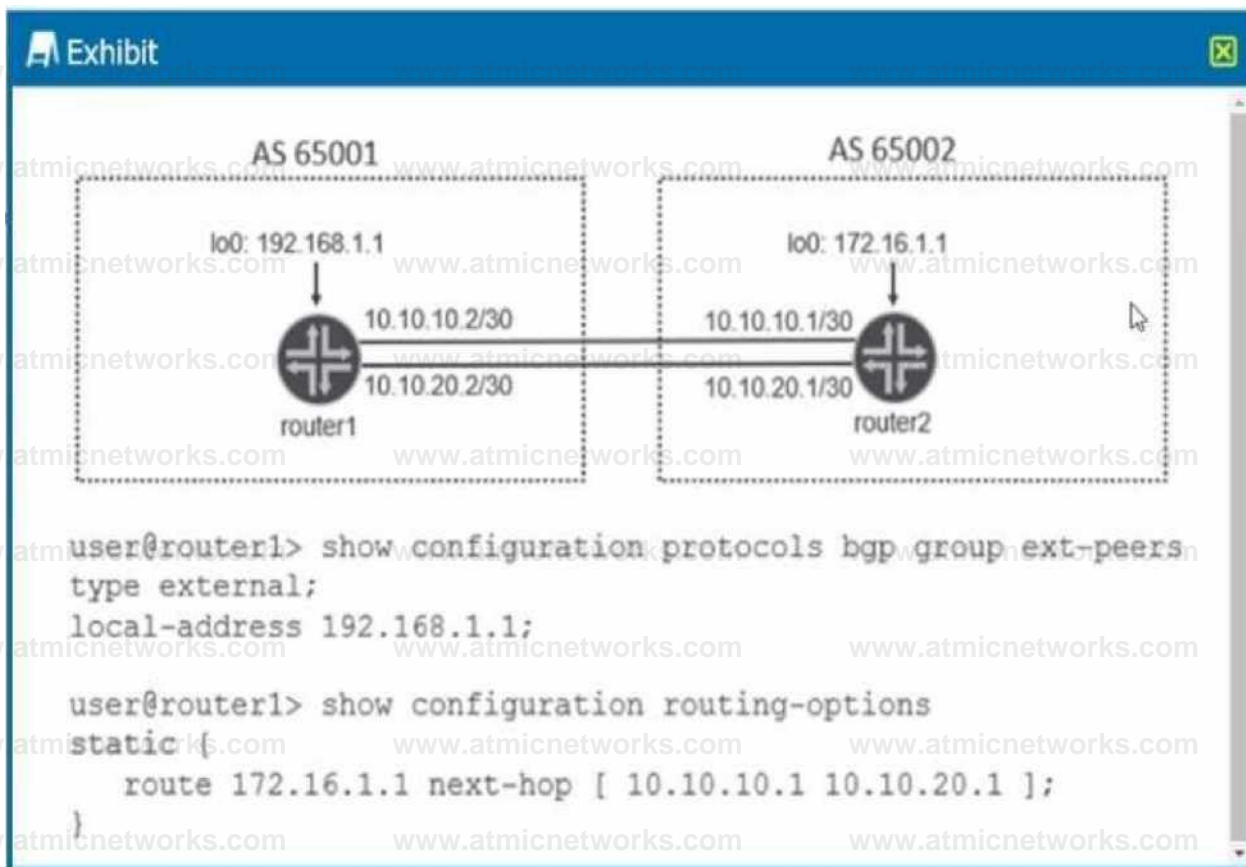
- A. Use a routing policy to set the local preference attribute value higher for the routes that are learned by R1
- B. Use a routing policy to set the local preference attribute value higher for the routes that are learned by R2.
- C. Use a routing policy to set the local preference attribute value lower for the routes that are learned by R2.
- D. Use a routing policy to set the local preference attribute value lower for the routes that are learned by R1.

**Answer: A, B**

**Explanation:**

## Question: 13

Exhibit.



Referring to the exhibit, what is required for the BGP peering to establish?

- A. Configure neighbor 172.16.1.1 multipath under the ext-peers hierarchy.
- B. Configure neighbor 10.10.20.1 multihop under the ext-peers hierarchy
- C. Configure neighbor lo.io.io.i multihop under the ext-peers hierarchy
- D. Configure neighbor 172.16.1.1 multihop under the ext-peers hierarchy

Answer: D

Explanation:

## Question: 14

Which two EVPN types advertise an ESI without advertising a MAC address? (Choose two.)

- A. Type1
- B. Type 2
- C. Type 3

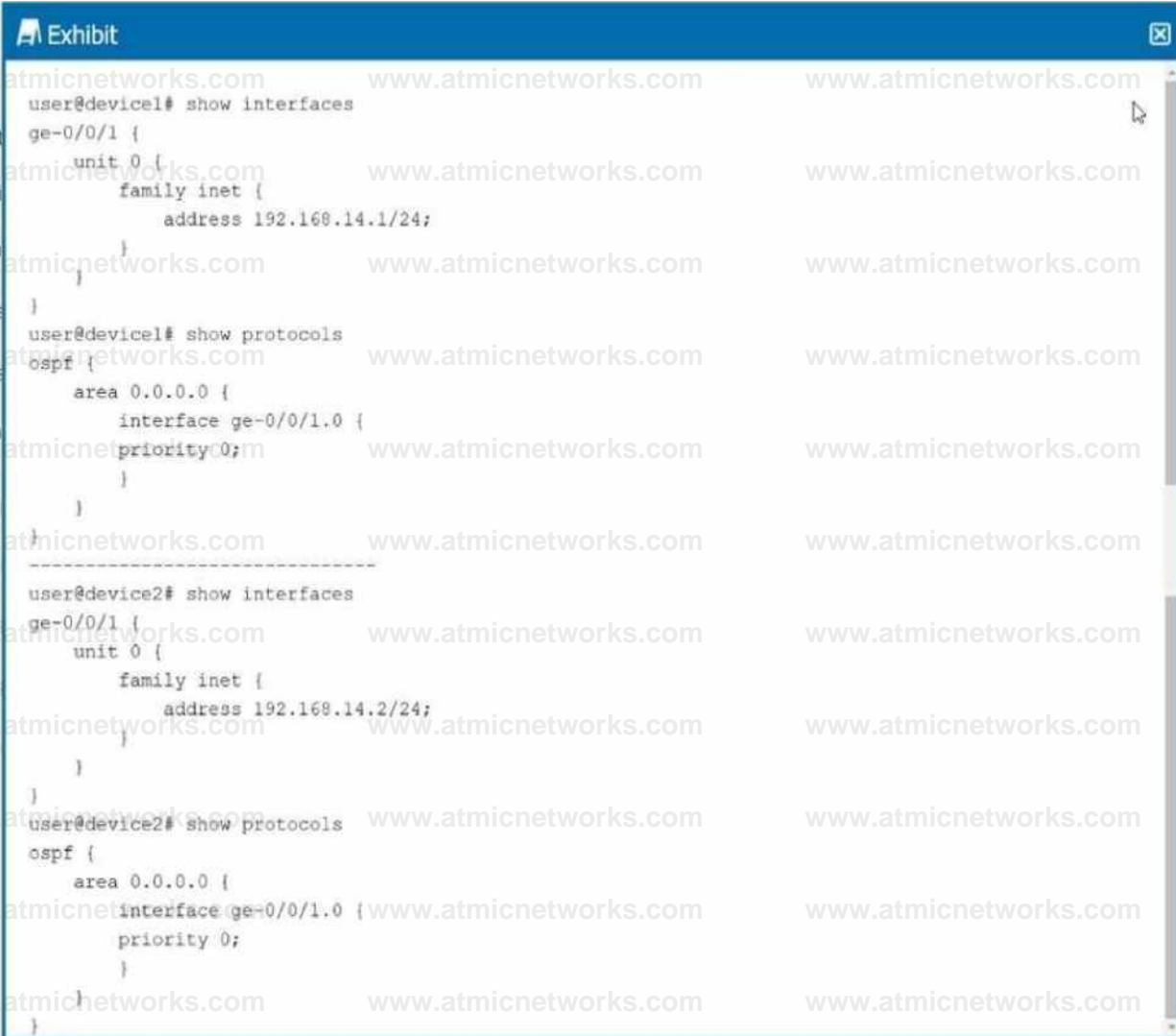
D. Type 4

Answer: A, D

Explanation:

Question: 15

Exhibit.



```
Exhibit
user@device1# show interfaces
ge-0/0/1 {
  unit 0 {
    family inet {
      address 192.168.14.1/24;
    }
  }
}
user@device1# show protocols
ospf {
  area 0.0.0.0 {
    interface ge-0/0/1.0 {
      priority 0;
    }
  }
}
-----
user@device2# show interfaces
ge-0/0/1 {
  unit 0 {
    family inet {
      address 192.168.14.2/24;
    }
  }
}
user@device2# show protocols
ospf {
  area 0.0.0.0 {
    interface ge-0/0/1.0 {
      priority 0;
    }
  }
}
```

Referring to the exhibit, which statement is correct?

- A. The device with the highest IP address is elected as the DR.
- B. The OSPF state will be stuck in the Exstart state
- C. The OSPF state will be stuck in the 2Way state
- D. The device with the lowest IP address is elected as the DR.

Answer: A

Explanation:

### Question: 16

Which two statements are correct about EVPN/VXLAN deployments? (Choose two.)

- A. VNIs are used for encapsulating and de-encapsulating traffic entering and leaving the tunnels
- B. VTEPs are used for encapsulating and de-encapsulating traffic entering and leaving the tunnels.
- C. VTEPs are used to identify broadcast domains within an EVPN/VXLAN environment.
- D. VNIs are used to identify broadcast domains within an EVPN/VXLAN environment.

Answer: B, C

Explanation:

### Question: 17

Which statement accurately describes the operation of OSPF within the Junos OS?

- A. OSPF calculates routes using a distance vector algorithm.
- B. OSPF is used for routing information and neighbor discovery within a single autonomous system (AS).
- C. OSPF does not automatically advertise directly connected routes.
- D. OSPF is used for routing information and neighbor discovery between multiple autonomous systems.

Answer: B

Explanation:

### Question: 18

You run a multivendor switching environment where you have configured VSTP. You have 450 VLANs and notice that some of your VLANs do not function properly. How should you change the configuration to get all 450 VLANs working?

- A. Include the force-version stp; statement in your configuration
- B. Enable RSTP to handle additional VLANs.

- C. Set the VLAN max-age to 3600 or more.
- D. Increase the bridge priority on all VLANs to at least 16k.

Answer: B

Explanation:

Question: 19  
Exhibit

```

user@router> show interfaces ge-0/0/11 extensive | find "Cos information"
CoS information:
  Direction : Output
  CoS transmit queue      Bandwidth      Buffer Priority  Limit
                           %              bps           %              usec
0 best-effort             r              r              r              0      low  none
1 expedited-forwarding   10             100000000     r              r              0      low  none
2 assured-forwarding     10             100000000     r              r              0      low  exact
3 network-control        4              40000000      r              r              0      low  exact
  
```

Referring to the exhibit, which two statements are correct? (Choose two.)

- A. The bandwidth reservation for queue 0 is 76%.
- B. During times of no network congestion, traffic that is placed in queue 2 will be dropped if more than 10% of the interface bandwidth is used
- C. The bandwidth reservation for queue 0 is 100%.
- D. During times of sustained network congestion, traffic that is placed in queue 2 will be dropped if more than 10% of the interface bandwidth is used

Answer: A, D

Explanation:

## Question: 20

### Exhibit

**Exhibit**

```
(edit)#
user@R2# show protocols pim
rp {
  local {
    family inet {
      address 10.222.1.2;
    }
  }
}
interface all {
  mode sparse;
}
```

All non-RP routers are configured similarly to R5

```
user@R5> show pim rps
Instance: PIM.master
address-family INET
address-family INET6
[edit]
root@r5# show protocols pim
interface all {
  mode sparse;
}
```

The diagram shows a network topology with five routers (R1, R2, R3, R4, R5) and a Source and Receiver. R1 is the RP (Redundant Prefix) and is connected to a Source (10.0.10/24) and a Receiver (10.0.0/24). R2 is the RP (Redundant Prefix) and is connected to R1, R3, and R4. R3 is connected to R1, R2, and R5. R4 is connected to R2 and R5. R5 is connected to R3 and R4. The network is running OSPF. The diagram shows various IP addresses on the interfaces of each router.

You need to configure the non-RP routers in your network to dynamically learn the location of the RP using standard protocols only. You have already applied the configuration shown in the exhibit, but the routers have not learned the location of the RP.

Which additional step must you take to fulfill these requirements?

- A. Configure MSDP.
- B. Configure BSR.
- C. Configure Anycast RP.
- D. Configure Auto-RP

Answer: B

Explanation:

## Question: 21

Your router is discarding an EIGRP route because the next hop is not directly connected. Which EIGRP configuration would you use to override this behavior?

- A. accept-remote-nexthop
- B. multihop
- C. advertise-inactive
- D. multipath

Answer: A

Explanation:

## Question: 22

Which three statements about VSTP are correct? (Choose three.)

- A. Separate BPDUs are flooded for each VSTP enabled VLAN.
- B. VSTP is incompatible with RSTP.
- C. VSTP is enabled by default on EX Series switches.
- D. VSTP supports up to 253 unique spanning tree topologies.
- E. A separate spanning tree instance is generated for each VLAN.

Answer: A, D, E

Explanation:

## Question: 23

### Exhibit

```
user@router> show ospf database router extensive
OSPF database, Area 0.0.0.0
Type      ID          Adv Rtr      Seq         Age      Opt  Cksum  Len
:-----:
Router 192.168.2.1 192.168.2.1 0x8000000d 191 0x22 0x0e91 72
  bits 0x1, link count 4
  id 192.168.1.1, data 172.20.77.2, Type PointToPoint (1)
    Topology count: 0, Default metric: 1
  id 172.20.77.0, data 255.255.255.252, Type Stub (3)
    Topology count: 0, Default metric: 1
  id 172.20.66.2, data 172.20.66.2, Type Transit (2)
    Topology count: 0, Default metric: 1
  id 192.168.2.1, data 255.255.255.255, Type Stub (3)
    Topology count: 0, Default metric: 0
  Topology default (ID 0)
    Type: Transit, Node ID: 172.20.66.2
      Metric: 1, Bidirectional
    Type: PointToPoint, Node ID: 192.168.1.1
      Metric: 1, Bidirectional
  Aging timer 00:56:48
  Installed 00:03:08 ago, expires in 00:56:49, sent 00:03:06 ago
  Last changed 01:16:32 ago, Change count: 3
```

What is the OSPF router type shown in the exhibit for router 192.168.2.1?

- A. neither an ABR nor an ASBR
- B. an ASBR
- C. both an ABR and an ASBR
- D. an ABR

Answer: A

Explanation:

Question: 24

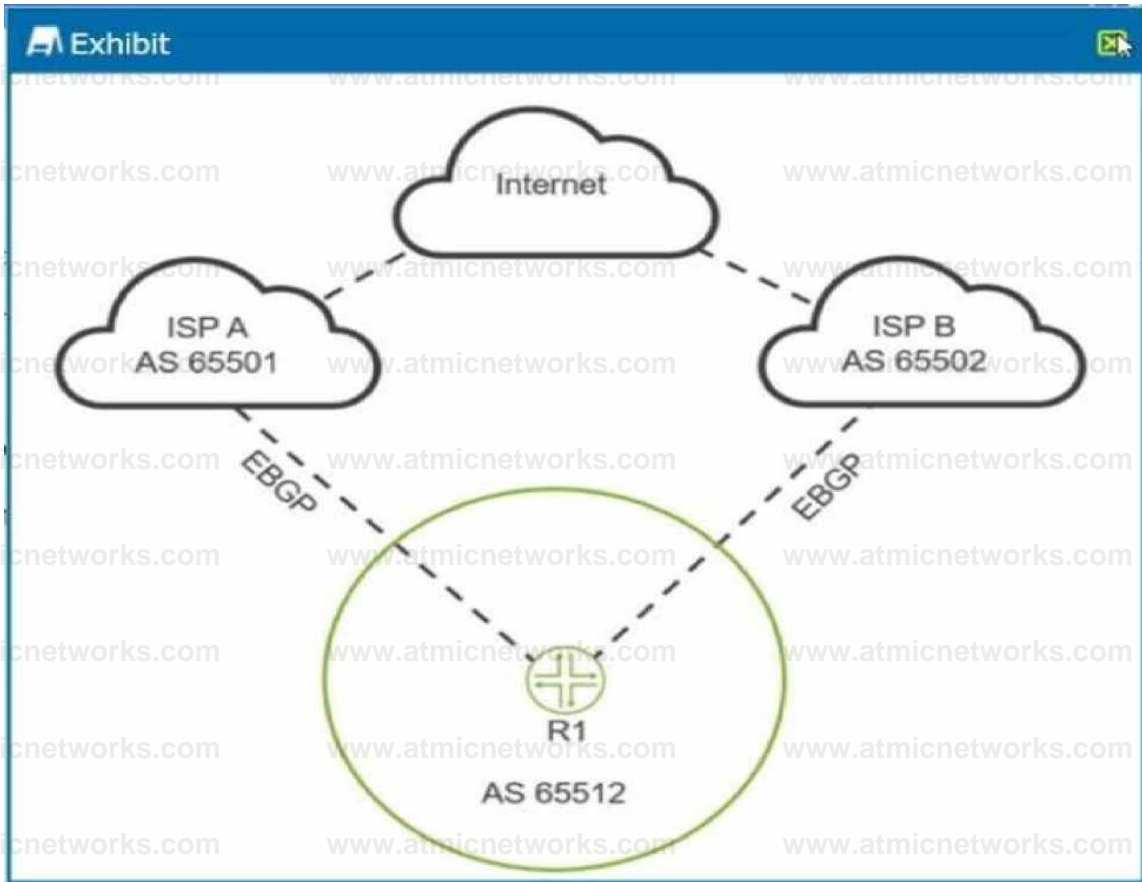
You must implement EVPN signaling on an EX Series device that is configured with both underlay and overlay networks. Which network protocol accomplishes this task?

- A. OSPF underlay network
- B. IS-IS underlay network
- C. MPLS overlay network
- D. EBGp overlay network

Answer: D

## Question: 25

Exhibit



You are receiving the same BGP Internet routes on R1 from both upstream ISPs. You are asked to load-balance traffic destined to the Internet across both ISPs.

Referring to the exhibit, which BGP solution should you use?

- A. Use the multihop feature on R1.
- B. Use the multipath multiple-as feature on R1.
- C. Use the prefix limit feature on R1
- D. Use the damping feature on R1.

Answer: B

Explanation:

## Question: 26

Which two statements are correct about OSPFv2 and OSPFv3? (Choose two.)

- A. OSPFv2 carries prefix information in LSAs
- B. OSPFv3 is processed per subnet.
- C. OSPFv2 and OSPFv3 require an Area 0.
- D. OSPFv3 carries flooding scope in LSAs.

Answer: A, D

Explanation:

## Question: 27

Exhibit



```
user@R1> show route protocol bgp
inet.0: 7 destinations, 11 routes (7 active, 0 holddown, 2 hidden)
+ = Active Route, - = Last Active, * = Both
172.16.10.1/32 *[BGP/170] 00:29:40, localpref 100
    AS path: 200 I
    > to 192.168.10.1 via ge-1/0/0.2
    to 192.168.20.1 via ge-1/0/1.3
    [BGP/170] 00:29:36, localpref 100
    AS path: 200 I
    > to 192.168.20.1 via ge-1/0/1.3
```

Referring to the exhibit, which two statements are correct? (Choose two.)

- A. The BGP configuration is for IBGP
- B. The BGP configuration includes the multipath parameter.
- C. This route has two next hops available.
- D. This route has a hidden next hop.

Answer: A, B

Explanation:

## Question: 28

You have a P-VLAN that spans multiple switches.

In this scenario, how do you enable communication across the P-VLAN?

- A. Configure trunk ports with inter-switch-link on the switches
- B. Configure trunk ports with private-vlan isolated on the switches.
- C. Configure trunk ports with private-vlan community on the switches.
- D. Configure trunk ports with isolated-vlan <vlan-id> on the switches.

Answer: A

Explanation:

## Question: 29

Exhibit

## Exhibit

```
user@switch> show route table default-switch.evpn.0
2:192.168.100.1:1::5010::00:00:5e:00:01:01/304 MAC/IP
2:192.168.100.1:1::5010::2c:6b:f5:4b:b9:f0/304 MAC/IP
2:192.168.100.1:1::5020::00:00:5e:00:01:01/304 MAC/IP
2:192.168.100.1:1::5020::2c:6b:f5:4b:b9:f0/304 MAC/IP
2:192.168.100.2:1::5010::00:00:5e:00:01:01/304 MAC/IP
2:192.168.100.2:1::5010::2c:6b:f5:7b:d8:f0/304 MAC/IP
2:192.168.100.2:1::5020::00:00:5e:00:01:01/304 MAC/IP
2:192.168.100.2:1::5020::2c:6b:f5:7b:d8:f0/304 MAC/IP
2:192.168.100.11:1::5010::00:0c:29:23:2c:1b/304 MAC/IP
2:192.168.100.13:1::5020::00:0c:29:93:24:6b/304 MAC/IP
2:192.168.100.1:1::5010::00:00:5e:00:01:01::10.1.1.254/304 MAC/IP
2:192.168.100.1:1::5010::2c:6b:f5:4b:b9:f0::10.1.1.101/304 MAC/IP
2:192.168.100.1:1::5020::00:00:5e:00:01:01::10.1.2.254/304 MAC/IP
2:192.168.100.1:1::5020::2c:6b:f5:4b:b9:f0::10.1.2.101/304 MAC/IP
2:192.168.100.2:1::5010::00:00:5e:00:01:01::10.1.1.254/304 MAC/IP
2:192.168.100.2:1::5010::2c:6b:f5:7b:d8:f0::10.1.1.102/304 MAC/IP
2:192.168.100.2:1::5020::00:00:5e:00:01:01::10.1.2.254/304 MAC/IP
2:192.168.100.2:1::5020::2c:6b:f5:7b:d8:f0::10.1.2.102/304 MAC/IP
2:192.168.100.11:1::5010::00:0c:29:23:2c:1b::10.1.1.1/304 MAC/IP
2:192.168.100.13:1::5020::00:0c:29:93:24:6b::10.1.2.3/304 MAC/IP
```

Referring to the exhibit output, which statement is correct?

- A. The device with an IP address of 192.168.100.2 is attached to VNI 5010
- B. The output shows the router ID of the device sending the EVPN Type 2 routes
- C. The output shows the route distinguisher of the device sending the EVPN Type 2 routes
- D. IP addresses 10.1.1.1 and 10.1.2.3 are connected to the same VNI.

Answer: C

Explanation:

Question: 30

Exhibit

```
Exhibit
master:0)[edit protocols mstp]
user@switch1# show
configuration-name main;
revision-level 1;
interface ge-0/0/2;
interface ge-0/0/3;
interface ge-0/0/4;
interface ge-0/0/5;
msti 1 {
  bridge-priority 8k;
  vlan 1-5;
}
msti 2 {
  bridge-priority 4k;
  vlan 6-10;
}
(master:0)[edit protocols mstp]
user@switch2# show
configuration-name main;
revision-level 1;
interface ge-0/0/2;
interface ge-0/0/3;
interface ge-0/0/4;
interface ge-0/0/5;
msti 1 {
  bridge-priority 4k;
  vlan 1-5;
}
msti 2 {
  bridge-priority 8k;
  vlan 6-10;
}
```

You are asked to configure VLAN load balancing on your network using MSTP. Referring to the exhibit, which two statements are correct? (Choose two.)

- A. Switch1 will be the root bridge for msti 1.
- B. Switch1 will be the root bridge for msti 2.
- C. Switch 1 will not assume the role of root bridge for both msti1 and msti2 if Switch2 goes down.
- D. Switch1 will assume the role of root bridge for both msti1 and msti2 if Switch2 goes down.

Answer: A, B

Explanation:

Question: 31

You are configuring CoS throughout your enterprise network using DSCP. You have configured MF classification on your edge devices and are using BA classifiers throughout the core. You are using the EZQoS template provided on

your EX Series switches that are acting as your edge devices. You have

loaded the configuration group and applied it to the appropriate interfaces. Classification and scheduling are working properly on your edge devices; however, traffic is not being classified correctly when it reaches your core devices

In this scenario, which statement is correct about solving this problem?

- A. You should configure and apply a policer to the edge devices' egress interfaces toward the core.
- B. You must configure the core devices using the EZQoS template as well
- C. You should configure and apply rewrite rules on the edge devices' egress interfaces toward the CORE
- D. You must configure the edge devices to use BA classifiers instead of MF classifiers

**Answer: C**

**Explanation:**

### Question: 32

You want to validate a recursive lookup for an EVPN route designation. Which route table query will accomplish this task?

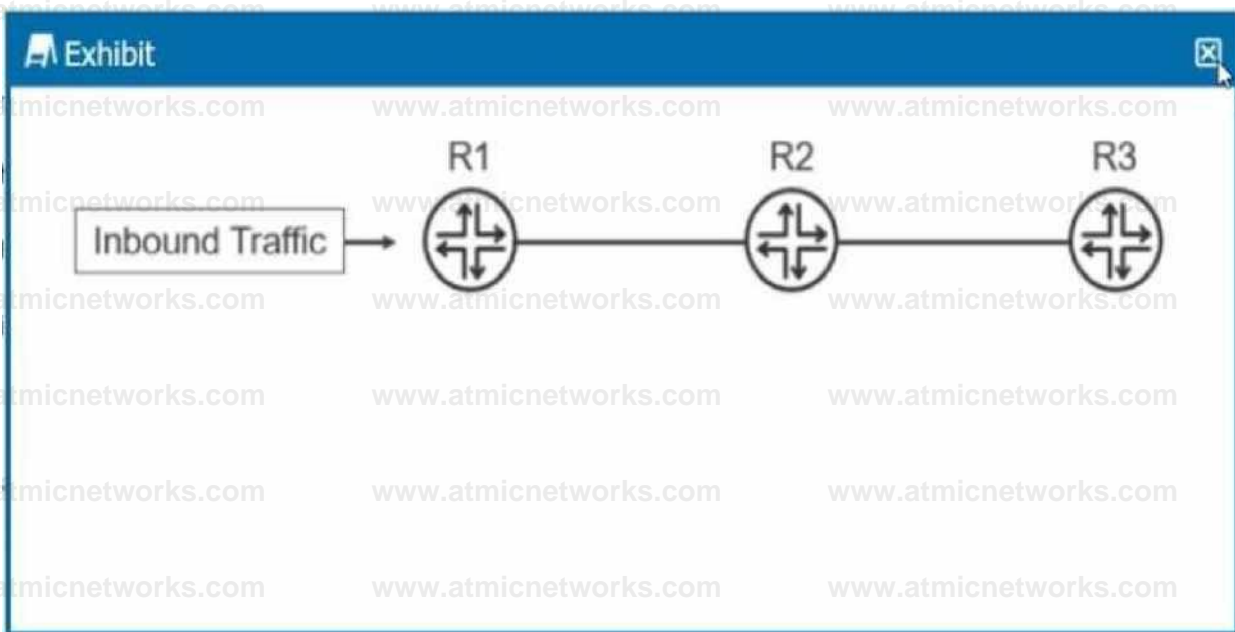
- A. inet.2
- B. default-switch.evpn.0
- C. inet.3
- D. vxlan.inet.

**Answer: D**

**Explanation:**

## Question: 33

Exhibit



You want to provide better performance for the video traffic that traverses your network. The video traffic enters your network without any class-of-service markings.

According to Juniper Networks, which two classification methods are performed by the routers shown in the exhibit? (Choose two.)

- A. R1 performs behavior aggregate classification.
- B. R1 performs multifield classification.
- C. R2 and R3 perform multifield classification.
- D. R2 and R3 perform behavior aggregate classification.

Answer: B, D

Explanation:

## Question: 34

You are adding a new QFX Series switch to an EVPN-VXLAN IP fabric.

In this scenario, which two statements are correct? (Choose two.)

- A. The encapsulation vxlan setting is configured under the protocols evpn hierarchy.
- B. The family vpls signaling address family is configured under the BGP protocol.
- C. The family evpn signaling address family is configured under the BGP protocol.
- D. The loopback interface must be advertised using the BGP protocol.

Answer: A, C

Explanation:

## Question: 35

You are deploying a three-stage EVPN environment with VXLAN using EX and QFX Series switches.

The leaf devices will perform the gateway services. Which two statements are correct in this scenario? (Choose two.)

- A. Only the leaf devices must support VXLAN capabilities.
- B. The leaf devices will function as VTEPs
- C. Both the leaf and spine devices must support VXLAN capabilities.
- D. The spine devices will function as VTEPs.

Answer: A, B

Explanation:

## Question: 36

You have created a private community VLAN called RND. The private community VLAN works fine within switch S1, but traffic in the private RND community VLAN does not reach VLAN members connected to switch S2.

Which statement is correct in this scenario?

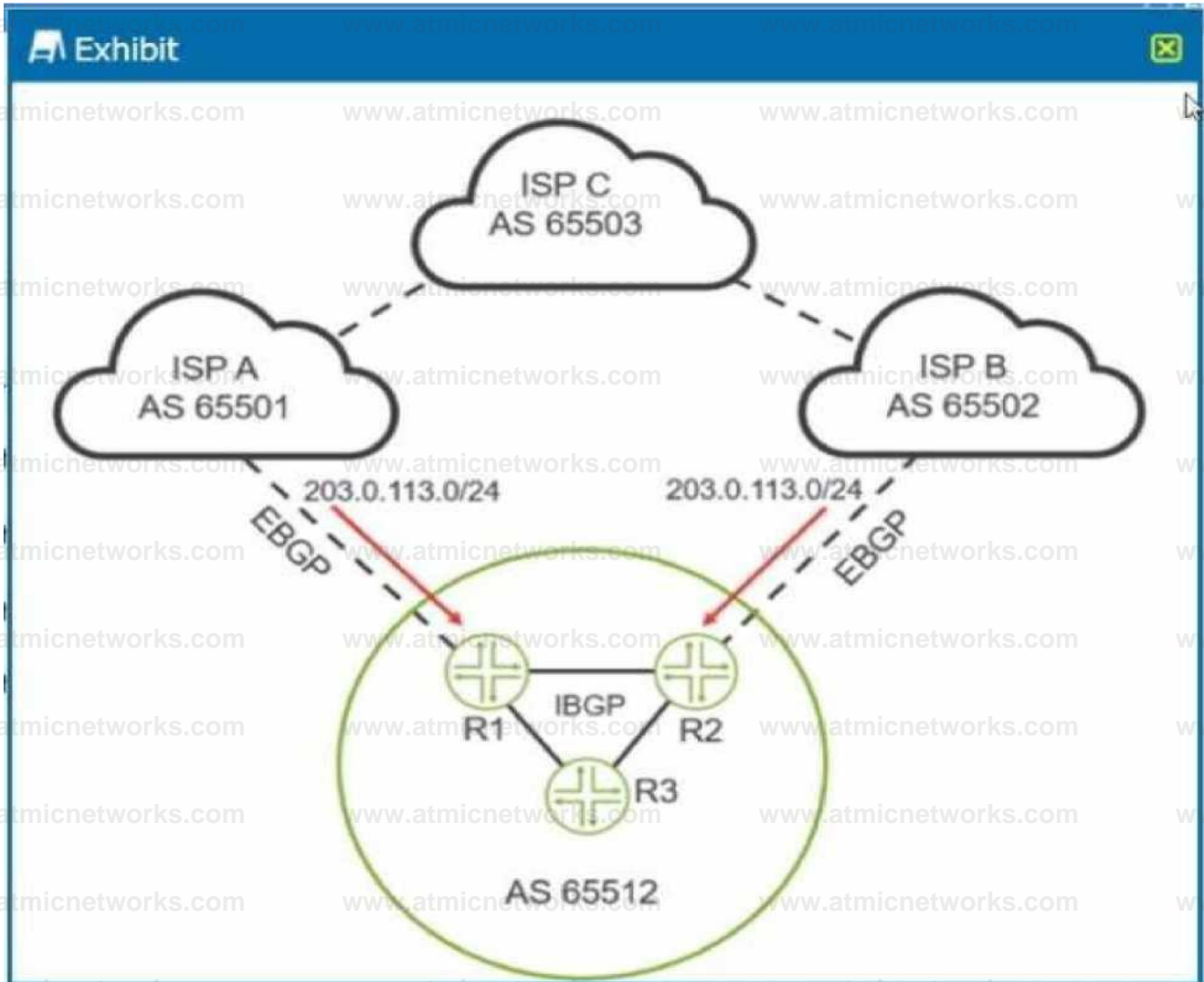
- A. The RND Community VLAN needs to have the same 802.1Q tag as its parent VLAN
- B. The RND community VLAN needs to have an associated 802.1Q tag associated with it.

- C. The RND Community VLAN needs to be stripped of all 802.1Q tags.
- D. The RND community VLAN needs to be defined as an isolated VLAN.

Answer: B

Explanation:

Question: 37  
Exhibit



You are receiving the 203.0.113.0/24 route from both upstream ISPs. You are asked to ensure that ISP A is the preferred ISP for traffic being sent to the 203.0.113.0/24 network from devices in AS 65512.

Referring to the exhibit, which two statements will accomplish this behavior? (Choose two.)

- A. You should assign a local preference that is lower than 100 for the route learned from ISP A.
- B. You should assign a local preference that is higher than 100 for the route learned from ISP A.
- C. You should assign a local preference that is lower than 100 for the route learned from ISP B.
- D. You should assign a local preference that is higher than 100 for the route learned from ISP B.

**Answer: B, C**

Explanation:

### Question: 38

Your organization uses 802.1X with a RADIUS server. If the RADIUS server stops responding, you want the fallback action to continue to permit access for devices that currently have authorization but deny any new access attempts.

Which fallback action provides this capability?

- A. deny
- B. vlan-name
- C. permit
- D. use-cache

**Answer: D**

Explanation:

### Question: 39

Which two statements are correct when using the no-loss forwarding class? (Choose two.)

- A. Use the default scheduler map.
- B. Use forwarding class sets.
- C. Use priority-based flow control.
- D. Use the default drop profile.

Answer: B, C

Explanation:

### Question: 40

Which statement accurately describes the role of a multicast RP, specifically when using the PIM sparse mode?

- A. The RP functions as a central point where multicast sources announce their existence and receivers send join requests to start multicast sessions
- B. The RP is primarily used in the PIM dense mode to flood multicast traffic throughout the network periodically
- C. The RP is responsible for forwarding all multicast traffic to all interfaces on the network, regardless of receiver interest.
- D. The RP in the PIM sparse mode eliminates the need for any source-specific multicast (SSM) configurations.

Answer: A

Explanation:

### Question: 41

Exhibit

**Exhibit**

```
user@router1> show configuration protocols bgp group ext-peers
type external;
peer-as 65002;
neighbor 10.10.10.1;
neighbor 10.10.20.1;
)

user@router1> show bgp summary
[...]
```

Peer	AS	InPkt	OutPkt	OutQ	Flaps	Last Up/Dwn	State	#Active/Received/Accepted/Damped...
10.10.10.1	65002	53	53	0	0	22:48	4/4/4/0	0/0/0/0
10.10.20.1	65002	54	51	0	0	22:48	0/4/4/0	0/0/0/0

Referring to the exhibit, what will enable active routes from both peers?

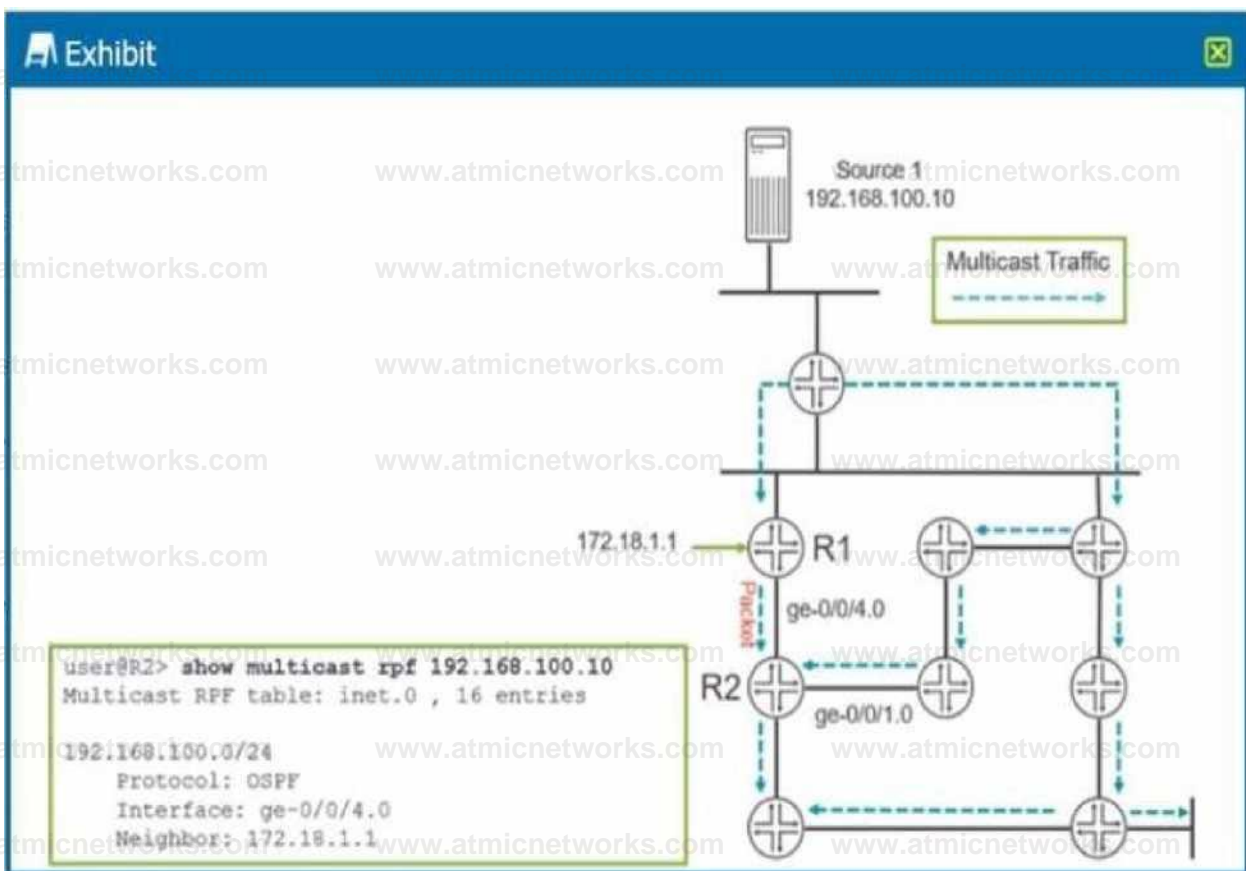
- A. Configure neighbor 172.16.1.1 multipath under the ext-peers hierarchy.
- B. Configure multipath under the ext-peers hierarchy.
- C. Configure neighbor 172.16.1.1 under the ext-peers hierarchy.
- D. Configure neighbor 10.10.20.2 multipath under the ext-peers hierarchy.

Answer: A

Explanation:

Question: 42

Exhibit



Referring to the exhibit. R2 receives a packet from the multicast source on its ge-0/0/4 0 interface.

Which two statements are correct in this scenario? (Choose two.)

- A. R2 verifies the existing unicast routing table and determines that this interface is not on the reverse path back to the source
- B. All interfaces other than ge-0/0/4.0 will be on the outgoing interface list.
- C. The packet is discarded
- D. R2 determines that the packet is coming in on an interface that is on the reverse path back to the source.

Answer: A, C

Explanation:

### Question: 43

You are asked to establish authentication for users connecting to the corporate network. You must ensure that only corporate devices that are identified by MAC addresses are allowed to authenticate and connect

Authentication must be handled by a centralized database.

Which authentication method would you implement in this scenario?MAC RADIUS

- A. captive portal
- B. single-secure supplicant mode
- C. single supplicant mode

Answer: A

Explanation:

### Question: 44

Your Layer 2 network uses 802.1X to authenticate user devices connecting to the network. You are asked to include a new Layer 2 interface connection from the conference room in your network. You must ensure that only a single device is allowed to authenticate on this port at one time to avoid users from being able to plug in a rogue switch to this port.

In this scenario, which 802.1X method would you use for the new interface?

- A. single-secure supplicant mode

- B. multiple supplicant mode
- C. single supplicant mode
- D. MAC-RADIUS

Answer: A

Explanation:

### Question: 45

Your existing enterprise network uses OSPFv3 on Juniper devices. You need to extend the networking into a new building, and it needs to be in its own OSPF area. Your team is debating about making the area a stub

Which two statements are correct in this scenario? (Choose two.)

- A. Stub areas can have an ASBR
- B. Stub areas can also be not-so-stubby areas.
- C. Stub areas do not support virtual links.
- D. Stub areas can be converted into totally stubby areas.

Answer: C, D

Explanation:

### Question: 46

You want to implement a system in your network to simplify VLAN management that can also dynamically create and prune VLANs. How would you accomplish this task?

- A. Enable GVRP on access interfaces.
- B. Enable MVRP and GVRP on all interfaces.
- C. Enable MVRP on trunk interfaces.
- D. Enable MVRP on access interfaces.

Answer: C

Explanation:

### Question: 47

You are evaluating a BGP routing policy that has a route-filter clause that includes its own action (e.g., accept) within the filter block. The policy is also using a then clause.

Which statement is correct in this scenario?

- A. The policy ignores the filter action and defers to the then clause.
- B. The filter action is treated as a suggestion and combined with the then action.
- C. The filter action is applied only if no then action is defined
- D. The filter's accept action executes immediately upon matching and the then clause is ignored.

Answer: D

Explanation:

### Question: 48

You configured MVRP in your Layer 2 network and you are adding two new interfaces to your distribution switch. You are asked to ensure that if a rogue device that uses MVRP is connected to these interfaces, that the MVRP PDUs are ignored

In this scenario, what should you configure to accomplish this task?

- A. Configure the join-timer to 500 ms.
- B. Configure the no-dynamic-vlan feature under MVRP.
- C. Configure the two new interfaces as point-to-point.
- D. Configure the two new interfaces under MVRP using the forbidden registration mode.

Answer: D

Explanation:

### Question: 49

An incorrectly configured routing policy at your service provider led to several hundred thousand routes being placed in your edge router's routing table. In this scenario, how would you limit the number of prefixes received on a BGP peer session?

- A. Enable the damping BGP parameter in the edge router configuration
- B. Enable the prefix-limit BGP parameter in the edge router configuration.
- C. Enable the graceful-restart BGP parameter in the edge router configuration.
- D. Enable the advertise-inactive BGP parameter in the edge router configuration.

Answer: B

Explanation:

### Question: 50

You need to perform maintenance on one of your OSPF routers. You do not want the other OSPF routers on the network to forward traffic to this router during the maintenance window

Which OSPF configuration parameter would you implement to accomplish this task?

- A. traffic-engineering
- B. overload
- C. preference
- D. spf-options

Answer: B

Explanation:

### Question: 51

You are troubleshooting a multicast deployment in a network. Some multicast groups operate in PIM-ASM mode and others operate in PIM-SSM mode. While troubleshooting, you note the following:

- The network uses IGMPv2 for some segments and IGMPv3 for others.
- For group 232.1.1.1, receivers know the exact source IP of the multicast sender
- For group 239.10.10.10, receivers do not know the source address in advance.

Which two statements correctly describe the operational differences between these two modes in Junos OS?

(Choose two.)

- A. PIM-ASM supports multiple active sources for a group without requiring receivers to know them in advance, whereas PIM-SSM requires explicit source knowledge
- B. In PIM-ASM, the DR first sends a PIM register message to the RP before switching to the shortest-path tree.
- C. PIM-SSM requires an RP for initial joins, whereas PIM-ASM can operate without one.
- D. PIM-SSM relies on IGMPv3 to signal both the source and the group in the join message, bypassing the RP entirely.

Answer: B, D

Explanation:

### Question: 52

Exhibit.

```
Exhibit
[edit]
user@RouteReflector# show protocols
bgp {
  group int-group {
    type internal;
    local-address 172.16.10.1;
    export NHS;
    cluster 172.16.10.1;
    neighbor 172.16.10.3;
    neighbor 172.16.10.2;
  }
}
[edit]
user@RouteReflector# show policy-options
policy-statement NHS {
  term 10 {
    from protocol bgp;
    then {
      next-hop self;
    }
  }
}
```

You have determined that traffic in your network is being routed through your route reflector instead of using the optimal path. Referring to the exhibit, what are two configuration changes on the route reflector that would solve the problem? (Choose two.)

- A. set policy-options policy-statement NHS term 10 from route-type external
- B. set protocols bgp group int-group import NHS
- C. delete protocols bgp group int-group export NHS
- D. set policy-options policy-statement NHS term 10 from route-type internal

Answer: A, C

Explanation:

### Question: 53

When configuring OSPF, what is the purpose of adding the secondary command to an OSPF interface?

- A. The secondary command is used in conjunction with VRRP for failover.
- B. The secondary command allows an interface to be in multiple areas.
- C. The secondary command creates an mtra-area backup path.
- D. The secondary command sets a backup path for virtual links

Answer: B

Explanation:

### Question: 54

You are enabling CoS throughout your enterprise network using the DSCP bits. You plan to use an MF classifier on all edge devices while using BA classifiers on all transit core devices

In this scenario, what should you use to provide consistent handling of traffic?

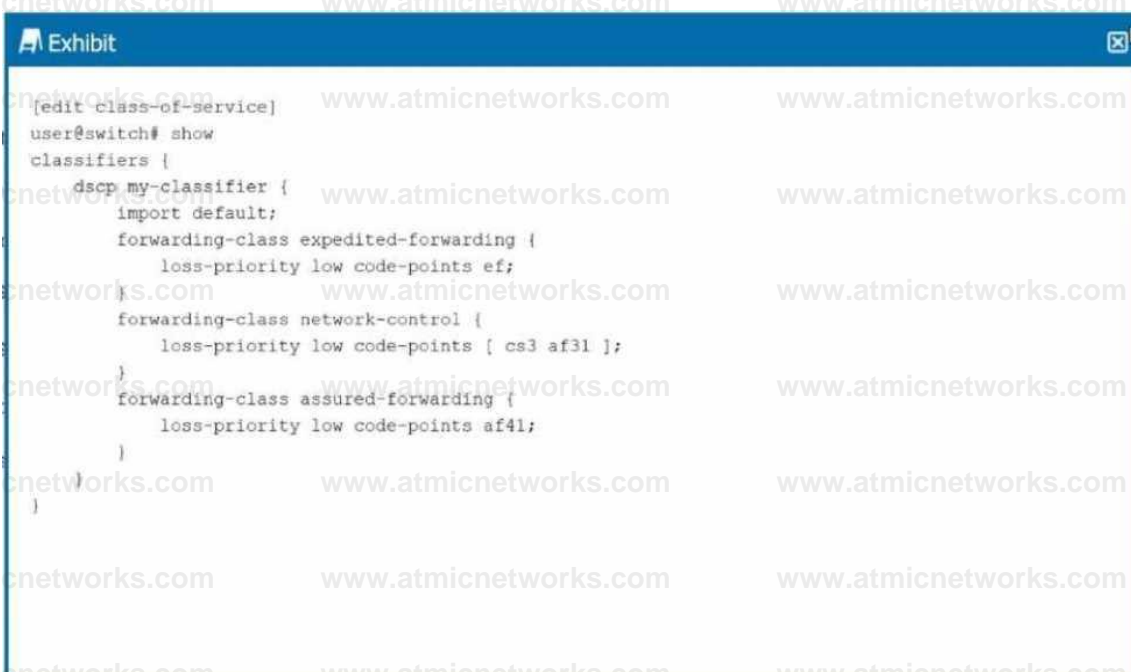
- A. You should implement rewrite rules on the edge devices' egress interfaces to rewrite the DSCP bits as it leaves the device toward the core.
- B. You should implement rewrite rules on the edge devices' ingress interfaces to rewrite the DSCP bits as it enters the device.
- C. You should implement rewrite rules on the core devices' ingress interfaces to rewrite the DSCP bits as it enters the device.
- D. You should implement rewrite rules on the core devices' egress interfaces to rewrite the DSCP bits as it leaves the device toward other core devices.

Answer: A

Explanation:

### Question: 55

Exhibit



```
[edit class-of-service]
user@switch# show
classifiers {
    dscp my-classifier {
        import default;
        forwarding-class expedited-forwarding {
            loss-priority low code-points ef;
        }
        forwarding-class network-control {
            loss-priority low code-points [ cs3 af31 ];
        }
        forwarding-class assured-forwarding {
            loss-priority low code-points af41;
        }
    }
}
```

As shown in the exhibit, you have implemented CoS classifiers using Differentiated Services Code Point (DSCP)

In this scenario, which two statements are correct? (Choose two.)

- A. This custom DSCP classifier must be associated with logical interfaces.
- B. This custom DSCP classifier must be associated with physical interfaces.
- C. The configuration imports all default classification assignments that are not specified.
- D. The default classification assignment overwrites all specified classifications

Answer: A, C

Explanation:

### Question: 56

You have several switches in your network that use Cisco's PVST+ protocol. You want your Juniper switches to interoperate with those devices.

In this scenario, which protocol would you use?

- A. RPVST+
- B. MSTP
- C. VSTP
- D. RSTP

Answer: C

Explanation:

### Question: 57

You have configured DSCP CoS in your network and have applied BA and multifield classifiers to all interfaces.

In this scenario, which statement is correct?

- A. If traffic matches both classifiers, then the multifield classifier determines into which forwarding class the traffic is assigned
- B. You must set the BA classifier to take precedence over the multifield classifier or the configuration is ignored
- C. You must set the multifield classifier to take precedence over the BA classifier or the configuration is ignored.

D. If traffic matches both classifiers, then the BA classifier determines into which forwarding class the traffic is assigned.

Answer: A

Explanation:

Question: 58

Exhibit

```
admin@switch> show poe interface
Interface      Admin status  Oper status  Pair/Mode status  Max power  Priority  Power consumption  Class
-----
ge-0/0/0      Enabled     ON          2P/AT         19.5W(L)   Low      10.6W              4
ge-0/0/1      Enabled     OFF         2P/AT         15.4W      Low      0.0W              not-
applicable
...
```

You are deploying a new campus switching environment using various EX Series switch models. The devices attached to one of the new EX Series switches include IP phones, IoT devices, and wireless access points (APs) requiring power over Ethernet (PoE) with varying power requirements. A sample output from one of these switches is shown in the exhibit.

In this scenario, which two statements are correct? (Choose two.)

- A. The switch is capable of supplying up to 60 W of power to attached PoE devices.
- B. Port ge-0/0/0 is enabled and has its maximum power and device class designations statically configured.
- C. Port ge-0/0/0 is enabled and has dynamically learned maximum power and device class designations.
- D. The switch is capable of supplying up to 30 W of power to attached PoE devices.

Answer: A, C

Explanation:

## Question: 59

According to IETF standards, which two statements are correct about EVPN/VXLAN deployments? (Choose two.)

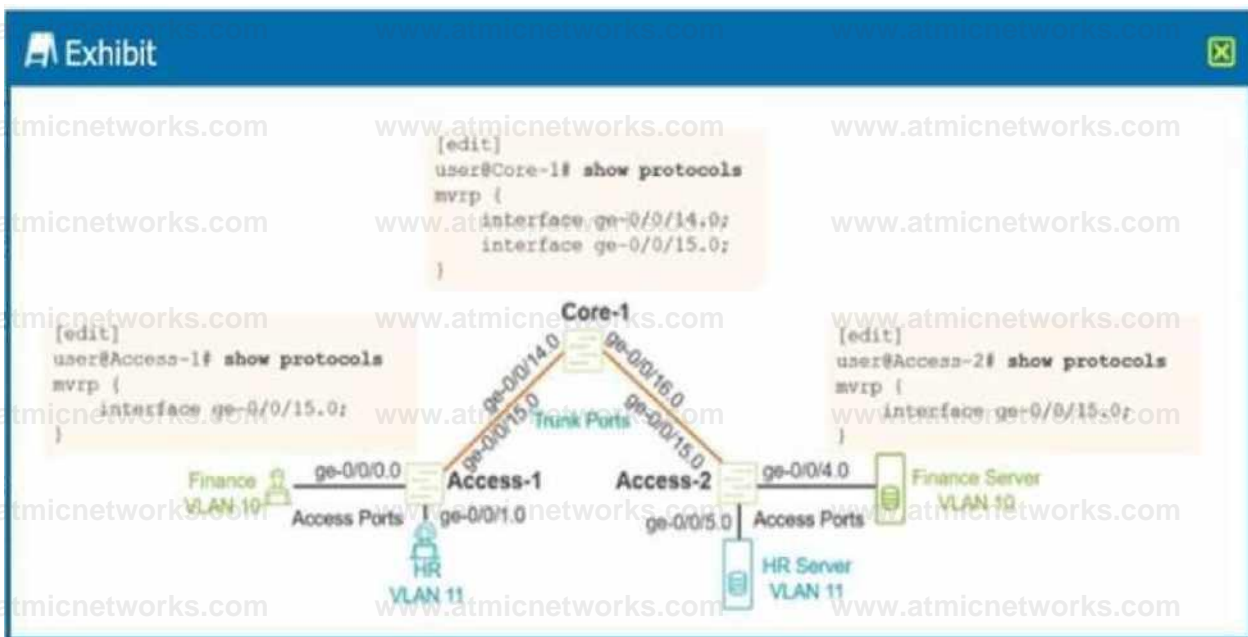
- A. Up to 16 million EVPN broadcast domains can exist.
- B. Up to 16 million VXLAN broadcast domains can exist.
- C. IP packets within the same broadcast domain are forwarded unchanged.
- D. Layer 2 frames within the same broadcast domain are forwarded unchanged.

Answer: B, D

Explanation:

## Question: 60

Exhibit



You configured MVRP in your Layer 2 network using the configuration shown in the exhibit. You verified that the appropriate VLANs are configured and applied on the two access switches. You are using RSTP as your loop prevention mechanism. Unfortunately, the users are not able to communicate with their corresponding server attached to the Access-2 switch.

In this scenario, what should you do to solve this problem?

- A. Configure VSTP instead of RSTP as your loop-prevention mechanism.
- B. Configure the access interfaces on the Access-2 switch under MVRP.
- C. Configure the ge-070716.0 interface on the Core-1 switch under MVRP.

D. Configure the access interfaces on the Access-1 switch under MVRP.

**Answer: B**

Explanation:

### Question: 61

While deploying class of service on an EX Series switch, what are two aspects of the scheduler? (Choose two.)

- A. It defines interface rate-limiting.
- B. It provides DiffServ code translation.
- C. It identifies the priority of the queue to which it is assigned.
- D. It defines a buffer size of the queue to which it is assigned.

**Answer: C, D**

Explanation:

### Question: 62

You are deploying IP phones in your enterprise networks. When plugged in, the IP phones must automatically be provided with their geographic location details by the EX Series switches.

In this scenario, which protocol should be used to enable this behavior?

- A. CDP
- B. LLDP-MED
- C. LLDP
- D. MP-BGP

**Answer: B**

Explanation:

### Question: 63

Which two statements are correct about EVPN Pure Type-5 routes? (Choose two.)

- A. Pure Type-5 routes rely on Type-7 sync routes
- B. Pure Type-5 routes require an overlay next hop.
- C. Pure Type-5 routes are also known as IP-VRF-to-IP-VRF.
- D. Pure Type-5 routes are advertised with the MAC extended community.

Answer: B, C

Explanation:

### Question: 64

You have deployed 802.1X with server fail fallback enabled on an EX Series switch and specified the vlan-name feature for all access ports. The RADIUS server is unavailable.

Which two statements are correct in this scenario? (Choose two )

- A. All clients already authenticated will immediately be disconnected before the re-authentication timer expires.
- B. All clients already authenticated will be unaffected until reauthentication is required.
- C. All new clients will be granted access only if their requested VLAN matches the configuration
- D. All new clients will be placed in the referenced VLAN in the configuration and given access.

Answer: B, D

Explanation:

### Question: 65

You are asked to configure 802.1X on an EX Series switch port that connects to a downstream switch with several devices attached. You must ensure that the first device is authenticated while all subsequent devices are permitted.

What will accomplish this request?

- A. single supplicant
- B. MAC RADIUS
- C. single-secure supplicant
- D. multiple supplicant

Answer: A

Explanation: